

CABLE PROTECTOR FX300G AND FX500G

Outer cable bushing for the protection and safe passage of the power cable from the door frame to the door wing. This bushing is installed on the surface and is available in two lengths - 440 mm or 640 mm. It is most often used with electromechanical self-locking locks.

ORDER NUMBER

Cable protector FX300G... 11202303

Cable protector FX500G... 11202304



TECHNICAL PARAMETERS: TYP FX300G

Outer diameter:	14,5 mm
Inner diameter:	10 mm
Length of flexible pipe:	300 mm
Total length:	440 mm
Surface:	grey terminal, steel pipe

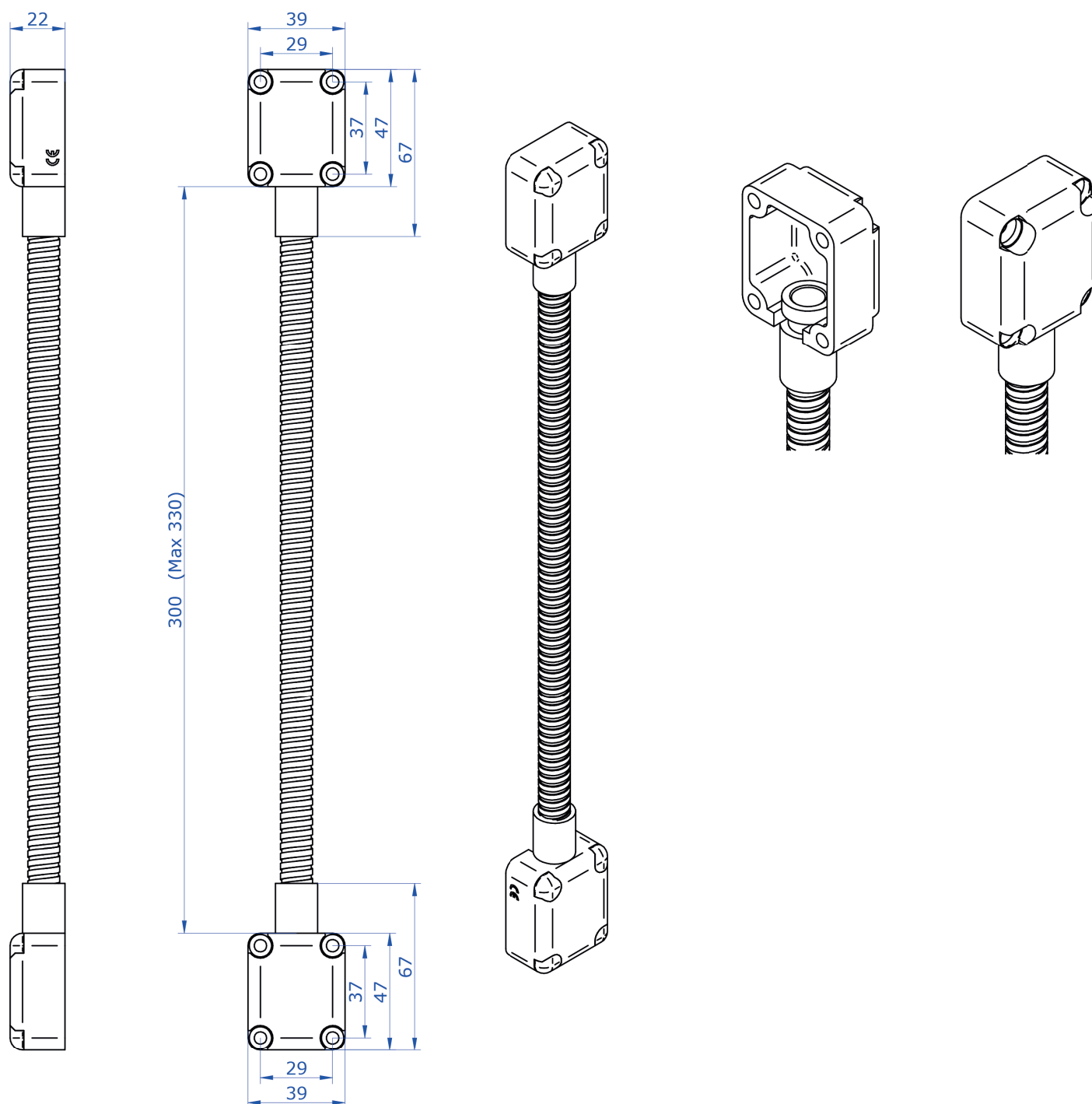


TYP FX500G:

Outer diameter:	14,5 mm
Inner diameter:	10 mm
Length of flexible pipe:	500 mm
Total length:	640 mm
Surface:	grey terminal, steel pipe

TECHNICAL DRAWINGS:

Valid for the following order numbers: 11202303



TECHNICAL DRAWINGS:

Valid for the following order numbers: 11202304

